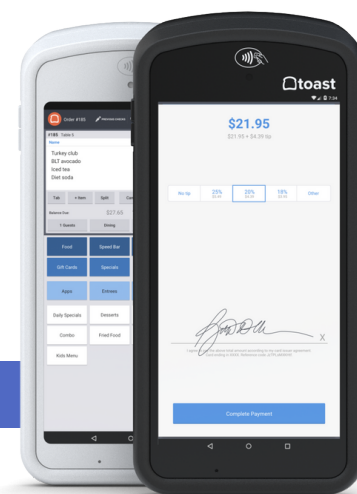


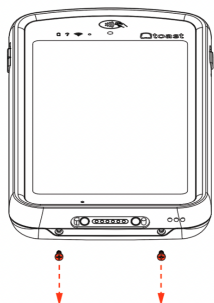
Replacing Your Toast Go™ 2 Battery

Follow these steps to swap out the battery in your Toast Go 2.

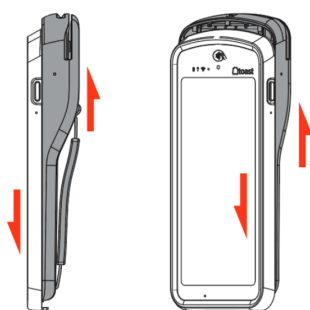
Before swapping out the battery, please make sure to power off your device.



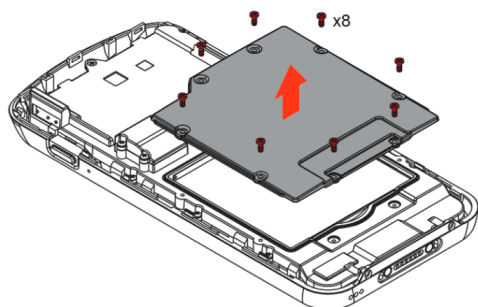
- 1 Using a screwdriver, remove the two screws at the bottom of your Toast Go2. If possible, place these screws in a small cup or other safe container and set them aside to keep track of them while the device is open.



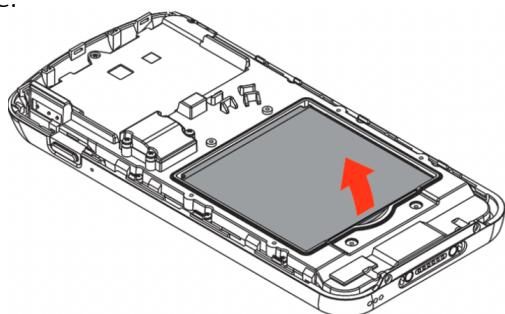
- 2 Push up and slide the back of the Toast Go 2 upward in order to open the device.



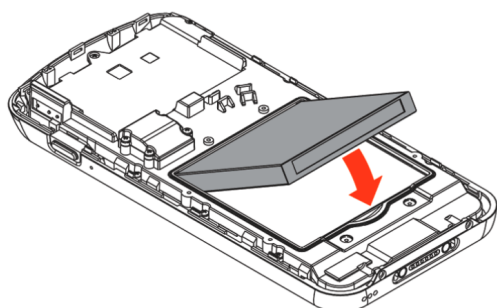
- 3 Remove the screws holding down the battery cover. If possible, place these screws in a small cup or other safe container and set aside to keep track of them while the device is open.



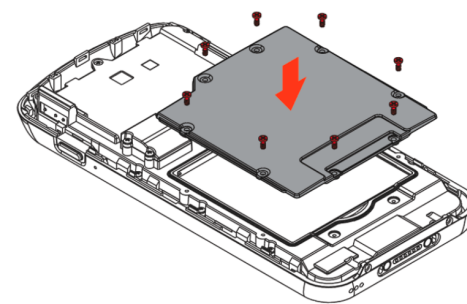
- 4 Remove the battery cover and gently pry the battery out of the bottom of the device.



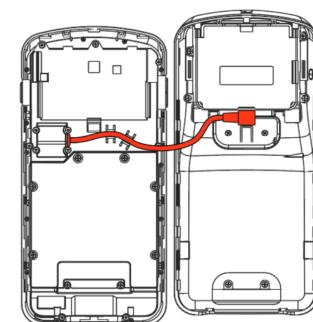
- 5 Insert the new battery. Make sure to line up the contact point on the battery with the device and push the battery in then down until you hear a "click".



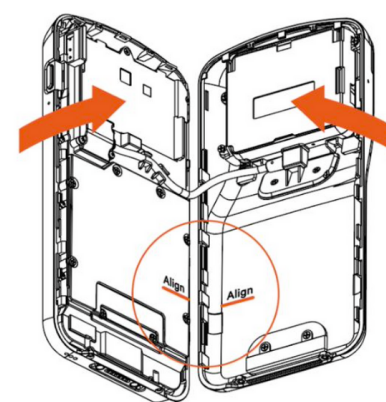
- 6 Put the battery cover back on and re-insert the screws using your screw driver.



- 7 Gently tuck the cable into the grooves of the front of the Toast Go 2 and be sure that they are not in the way of the battery cover.



- 8 Place the Toast Go 2 screen-down on a flat surface and align the interior stickers of the device.



- 9 Press both halves together, pushing down and sliding the back of the Toast Go 2 in a forward motion until you hear a click.

- 9 Re-insert the two screws at the bottom of the device.

